



*SERVING THE FOOD INDUSTRY SINCE 1951*

# MODERATE-DUTY MEAT GRINDER WITH 22 HP

Item: 11067 Model: MG-BR-0022

## *MINCE DIFFERENT TYPES OF MEAT QUICKLY AND EFFICIENTLY*

This powerful, gear-driven meat grinder includes a 1 5/8" throat opening and stainless steel pan. It features a high performance 2 horsepower motor making it ideal for butcher shops, food stores and restaurants. Easy to disassemble for quick cleaning.



**1 YEAR WARRANTY**  
PARTS AND LABOR



NEMA L5 - 30P  
120 VAC / 30 AMP



Authorized Dealer

# KITCHEN EQUIPMENT

## MODERATE-DUTY MEAT GRINDER WITH 22 HP



- Powerful, gear-driven meat grinder that includes a 1 5/8" throat opening and stainless steel pan
- Comes with 5mm #22 machine plate (3mm and 8mm sold separately)
- Features a high performance 2 horsepower motor making it ideal for butcher shops, food stores and restaurants
- Easy to disassemble for quick cleaning

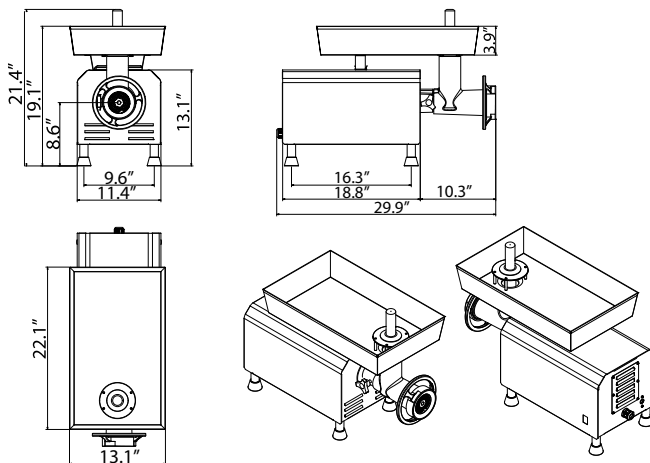


### TECHNICAL SPECIFICATION

ITEM NUMBER	11067
MODEL	MG-BR-0022
POWER	2 HP / 1.47 kW
THROAT	1 5/8" / 41.275 mm
RPM ON MOTOR	1750
RPM ON WORM	150
ELECTRICAL	110V / 60Hz / 1Ph
WEIGHT	89.76 lbs. / 40.7 kg.
PACKAGING WEIGHT	105 lbs. / 47.6 kg.
DIMENSIONS (DWH)	28" x 13" x 24.75" / 711.2 x 330.2 x 628.65 mm
PACKAGING DIMENSIONS	21.5" x 33.5" x 22.5" / 546 x 850.9 x 571.5 mm

*Note: Unit comes with its own 5mm machine plate, 3mm and 8mm sold separately. Not compatible with other plates.*

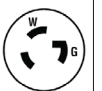
### TECHNICAL DRAWING AND DIMENSIONS



**WARRANTY**  
PARTS AND LABOR



NEMA  
L5 - 30P  
120 VAC / 30 AMP



## OMCAN INC.

Telephone: 1-800-465-0234  
 Fax: (905) 607-0234  
 Email: sales@omcan.com  
 Website: www.omcan.com



Follow us to keep up to date with the latest news and offers

